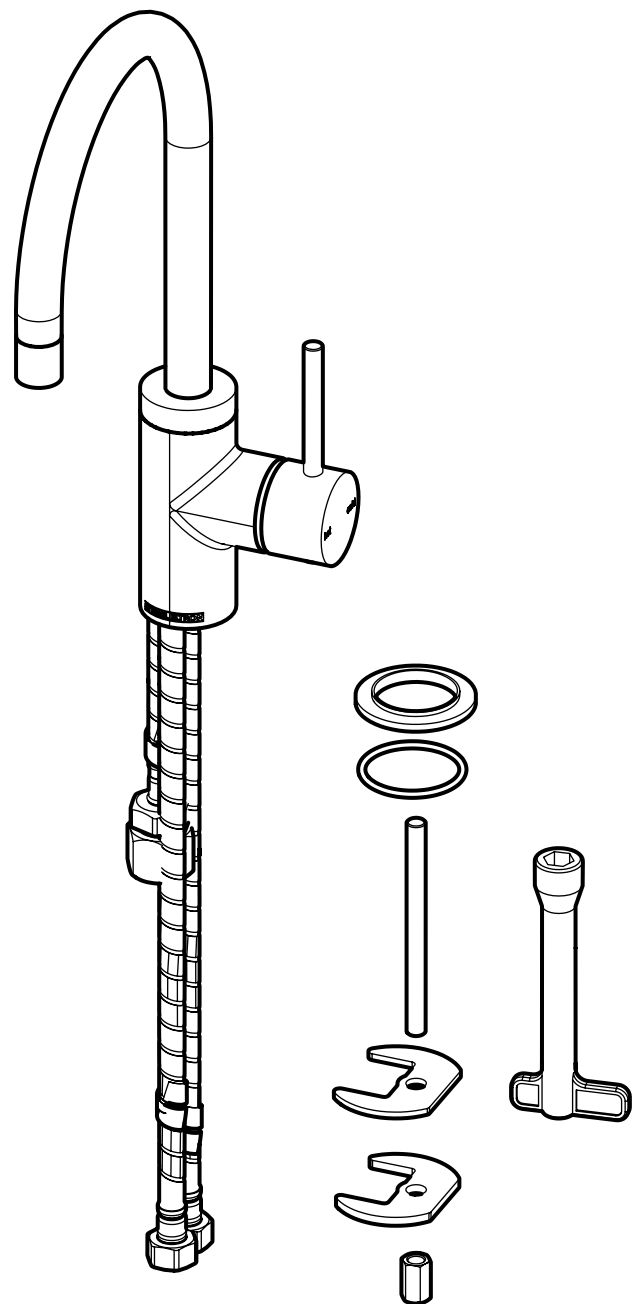
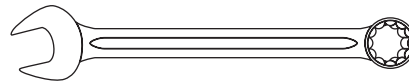
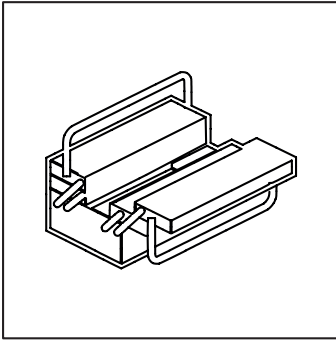


SCHNELLINSTALLATION
QUICK INSTALLATION

Side Lever Sink Mixer

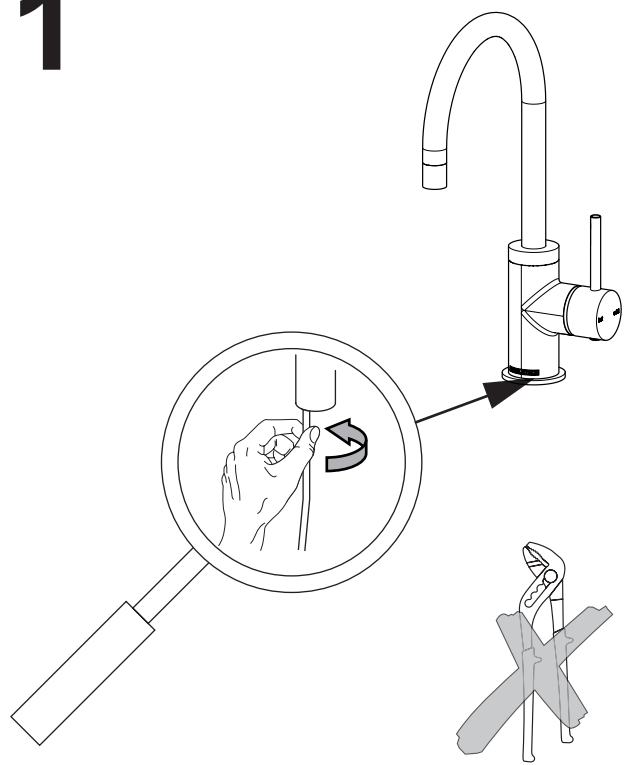
STIEBEL ELTRON

IN0660_RevB

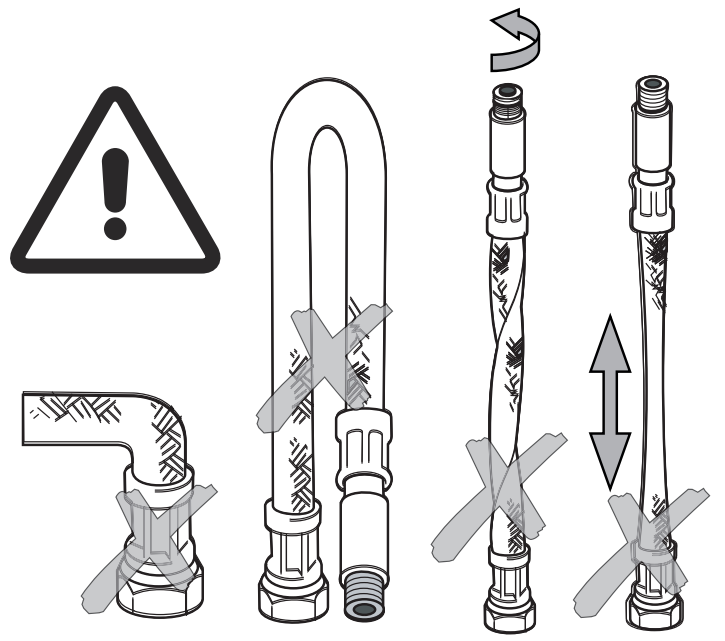


Maximum Temperature	75 degrees centigrade
Maximum Pressure	500kPa cold mains
Minimum Temperature	1 degree centigrade
Minimum Pressure	150kPa

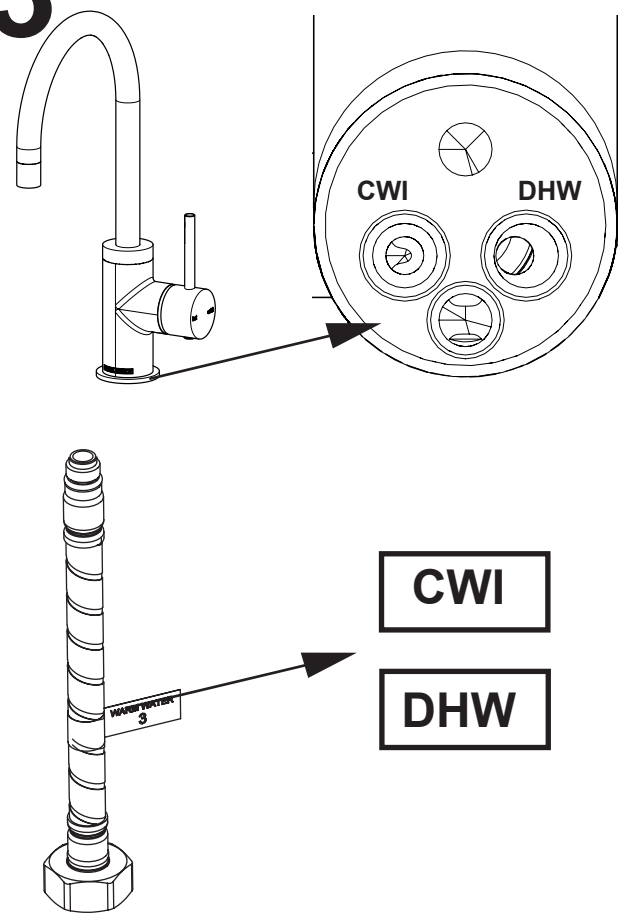
1



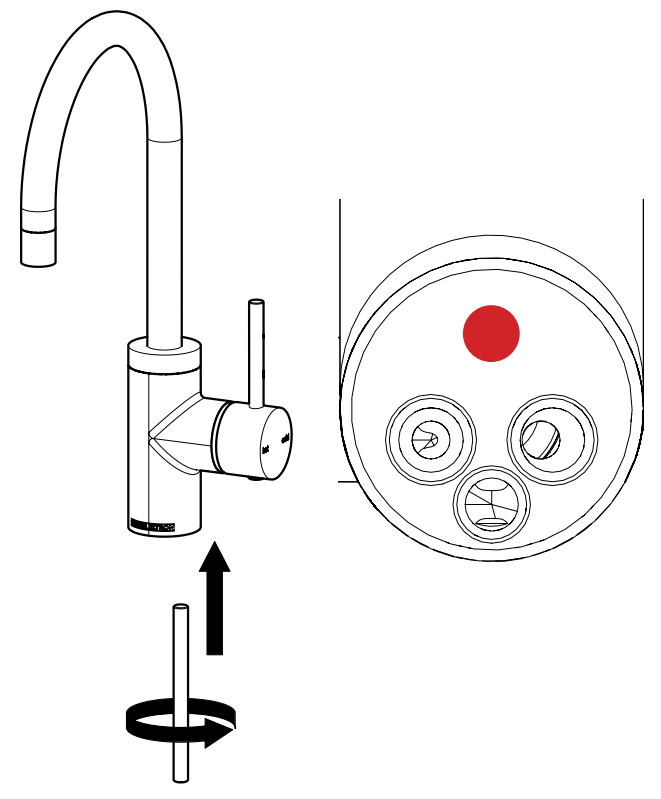
2



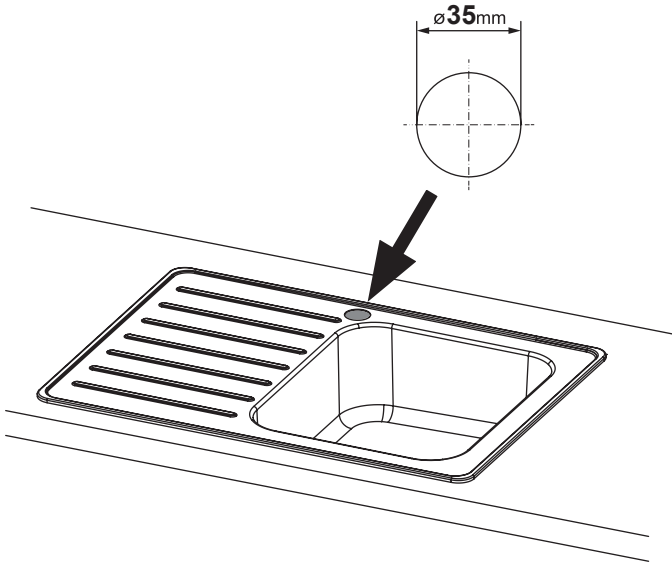
3



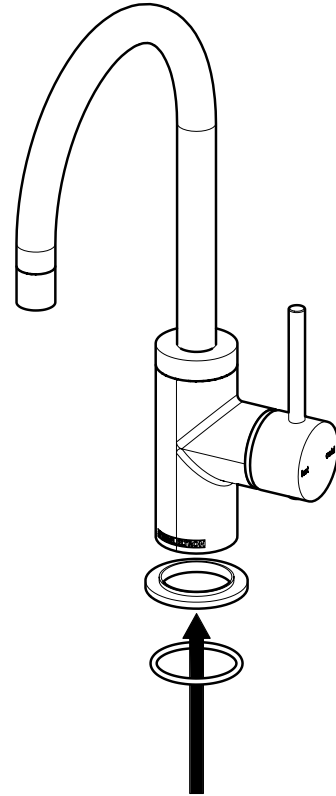
4



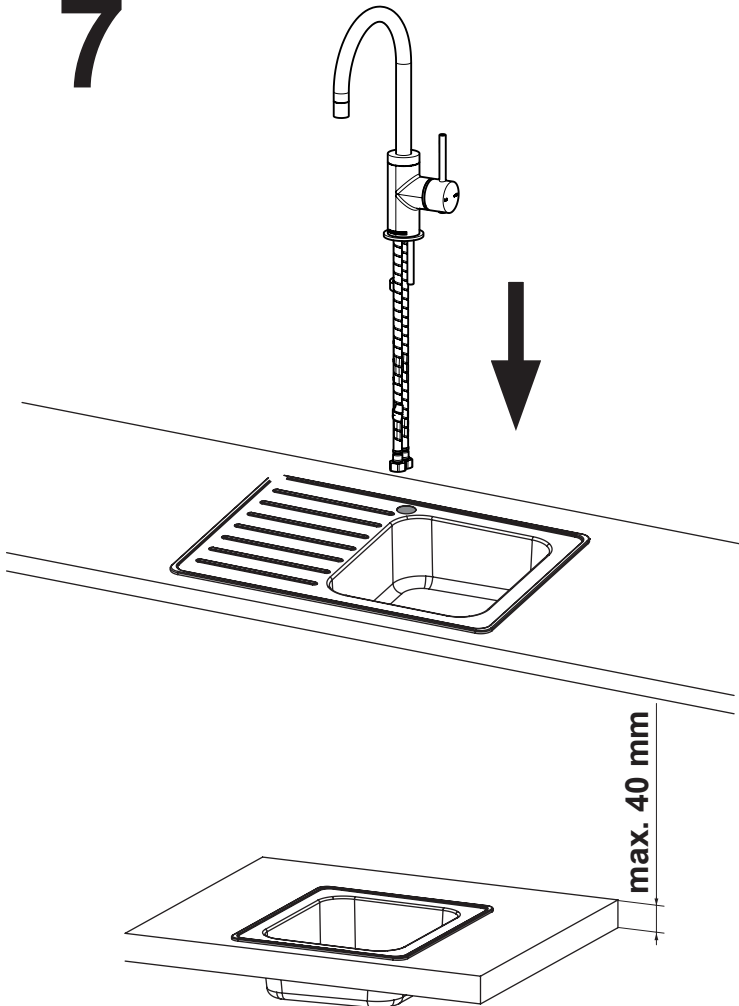
5



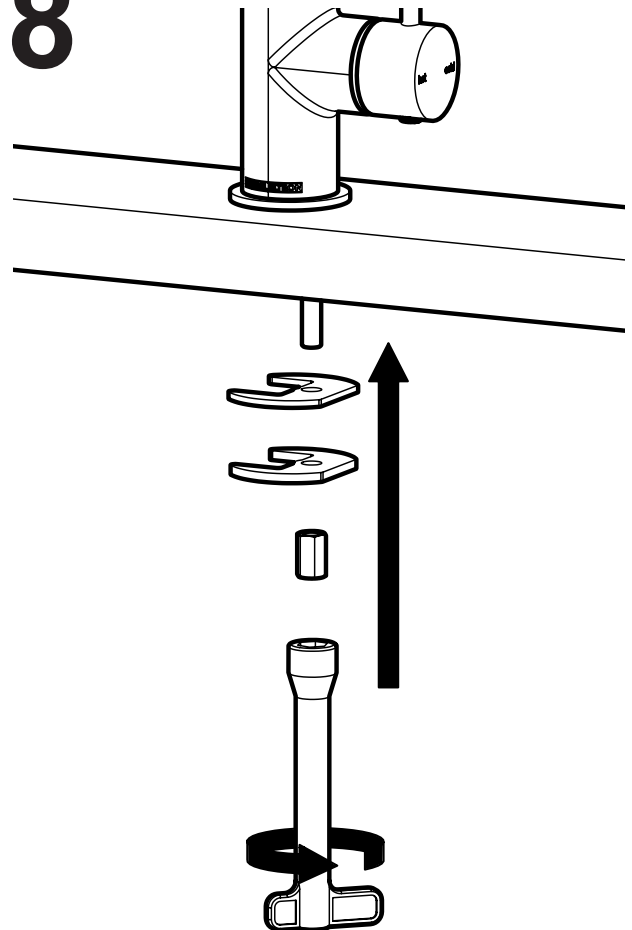
6



7



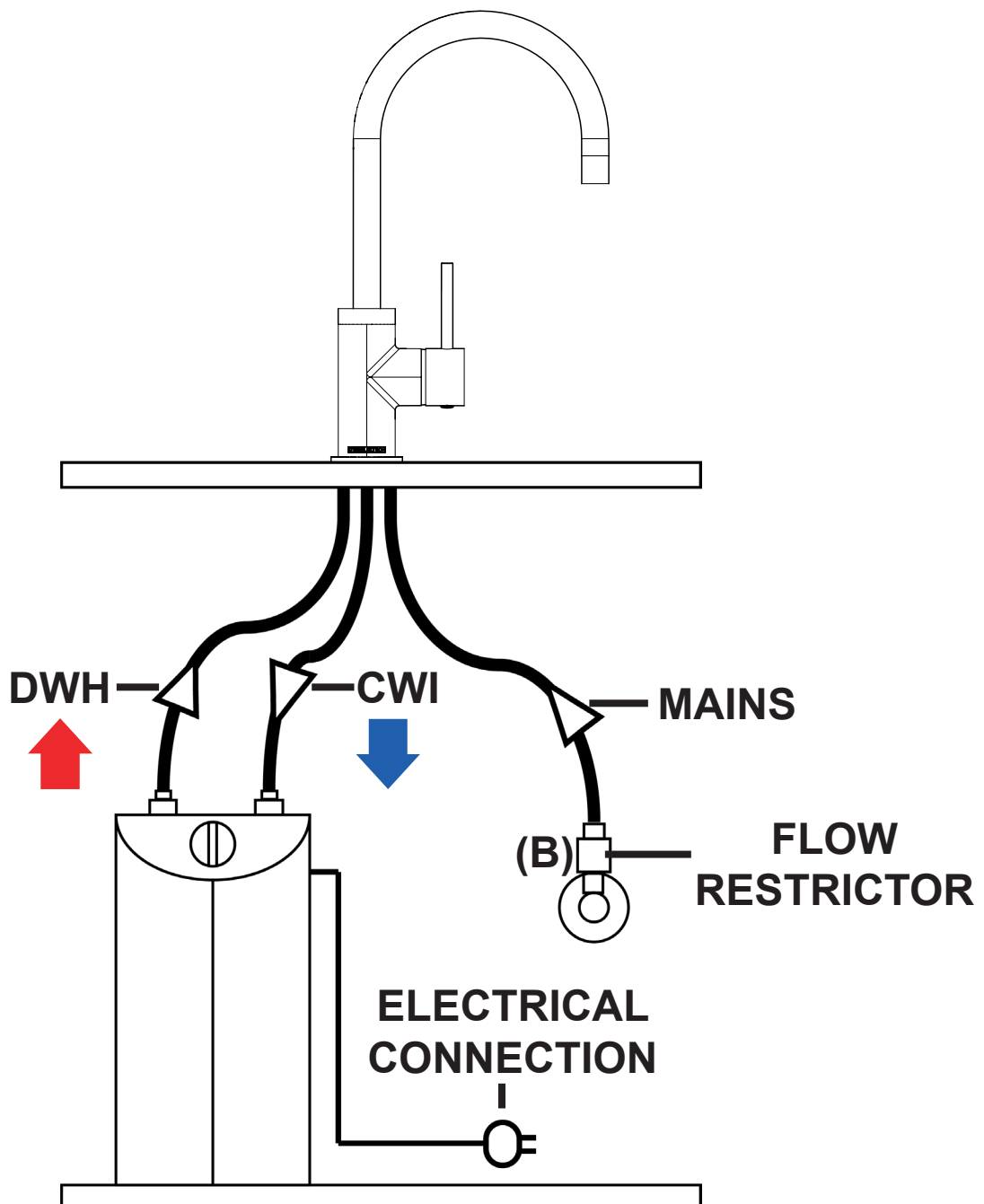
8



A brass flow restrictor is also provided and should be installed between the flexi hose of the tap and the main cold water supply tap, as illustrated (B). Make sure the main cold water line is thoroughly flushed before fitting the restrictor.

This product must be installed by a licensed professional and in accordance with the Plumbing Code of Australia, AS/NZS 3500, and local regulations.

Any flow controller incorporated in the outlet to be tightened to prevent removal by hand. As Per AS3718



GUARANTEE

STIEBEL ELTRON Warranty Australia

1. Who gives the warranty

The warranty is given by
STIEBEL ELTRON (Aust) Pty Ltd (A.B.N. 82 066 271 083)
of 294 Salmon Street, Port Melbourne, Victoria

2. Warranty conditions

In this Express Warranty, special order, custom or discontinued items may be replaced by a reasonable alternative product and/or finish should a valid warranty claim occur.

3. Warranty Periods

STIEBEL ELTRON warrants that the below Products will be free from all defects in materials and workmanship for the periods specified below.

Warranty Category	Period (Yrs)	Details	Replacement
Mixers	5/5/1	5 Years	Replacement cartridge ¹
		5 Years	Replacement product or parts ²
		1 Year	Labour
		1 Year Parts Only	Braided hoses & housing ²

Note: Unless specified, labour is not included.

- a) Excludes damage to ceramic disc cartridges from pieces of copper tube, plastic tube, sand, dirt, or thread tape etc.
- b) Excludes scratching or normal wear and tear. Any imperfections in the finishes, natural materials, or signs of scratching, denting, rusting, spotting, discolouration, or tampering should be viewed as typical characteristics rather than faults in these crafted products.
- 3.1. **Commercial** same as residential
- 3.2. **Builders Range Residential & Commercial** N/A

4. Warranty Exclusions

To the maximum extent permitted by the Consumer Law, the Express Warranties will not apply and STIEBEL ELTRON will not be liable for any Loss or damage, whether to the Product itself, surrounding

surfaces including walls, fixtures, furniture or any other Consequential Loss caused by a defect in the Product where:

- a) the Consumer is unable to provide proof of purchase or equivalent documentation which confirms that the relevant Product was purchased from a STIEBEL ELTRON authorised distributor or reseller;
- b) the relevant Product is not a product which was manufactured or imported by STIEBEL ELTRON with the intention of being supplied in Australia;
- c) the relevant Product was not purchased by the Consumer as a brand new product;
- d) the relevant Product was not installed by an accredited and licensed technician, including a plumber or tradesperson, in accordance with the manufacturer's installation instructions provided with the Product, including but not limited to:
 - (i) isolation stop taps must be fitted in accordance with all applicable National Standards and State Regulations;
 - (ii) other devices must not be fitted to the outlet or tapware or tap (e.g. water filters);
 - (iii) non-approved water flow regulating devices must not be fitted to the Products; and
 - (iv) outlet aerator inserts must be regularly cleaned and replaced;
- e) the relevant Product was not installed to the relevant National Standards and State Regulations;
- f) the damage to the relevant Product amounts to fair wear and tear;
- g) the defective part of the relevant Product is a consumable part that requires routine replacement;
- h) the relevant Product was damaged as a result of accident, misuse (including use for incorrect applications), incorrect installation, cleaning or maintenance, unauthorised modification, tampering or unauthorised repairs by any

GUARANTEE

persons, use of defective or incompatible accessories or exposure to abnormally corrosive conditions, adhesives or sealants;

- i) the relevant Product has been exposed to harsh or abnormal environmental elements;
- j) the relevant Product has been exposed to water pressures and or temperatures that fall outside the following parameters:

Maximum Temperature	75 degrees centigrade
Maximum Pressure	500kPa cold mains
Minimum Temperature	1 degree centigrade
Minimum Pressure	150kPa

Note: AS/NZS 3500.1-2018 (Clause 3.3.4) specifies 500kPa maximum water supply pressure at any outlet within a building for new installations. The 500kPa maximum water supply pressure does not apply to fire service outlets.

- k) the relevant Product has been exposed to water quality that falls outside the parameters of potable water either specified by STIEBEL ELTRON or in the jurisdiction into which the Products are supplied, including as a result of any changes to the water quality advised by a government body or regulatory agency from time to time;
- l) the relevant Product was used incorrectly (e.g. non-potable water);
- m) the relevant Product was purchased as an ex-display product;
- n) the relevant product is damaged as a result of obstructions due to inadequate flushing of the system before use and problems caused by water supply (e.g. silt, corrosion and excess water pressure);
- o) the relevant Product has been serviced or repaired with non-standard or non-STIEBEL ELTRON Industry

replacement parts without STIEBEL ELTRON's written approval;

- p) the relevant Product has been altered, amended, modified or has in any way been changed from its original sale condition without STIEBEL ELTRON's prior written approval;
- q) installation, use or removal of the relevant Product results in Water Hammer, or in any other circumstances Water Hammer occurs, noting that Water Hammer is not a manufacturing defect;
- r) a flow regulator was not installed, or installed incorrectly, in respect of the relevant Product (if applicable);
- s) regulated check valves were not installed, or were installed incorrectly, in respect of the relevant Product;
- t) the relevant Product's finish has been damaged as a result of:
 - (i) installation or post installation use; or
 - (ii) adhesives, sealants or abrasive cleaners, etc.; or
- u) the consumer has failed to observe STIEBEL ELTRON's manufacturer's care and cleaning instructions detailed in section 5 of this Warranty Card.
- v) the warranty is limited to the original purchaser and is non-transferable.
- w) the warranty does not reset when the product is repaired or replaced. The original date of purchase will remain as the warranty commencement date.

For cleaning, all that is required to maintain the finish in perfect condition for a lifetime of use, is a soft cloth to remove surface dust when dry or a moist cloth with warm soapy water.

GUARANTEE

5. How to make a claim

In order to submit a claim, email service@stiebel-eltron.com.au or call service on 1-800 153-351 to report a Product fault

You will be required to provide:

*Proof of purchase

*Serial number of the hot water device

6. Product Care and Maintenance

If treated in accordance with the below advice and instructions, and any specific instructions provided with a Product, STIEBEL ELTRON Products will endure for many years. These instructions are based on our expert knowledge and experience but are not to be construed as a legal warranty or liability on our party.

6.1 All products

Products should be cleaned with mild liquid detergent or soap and water. Never use harsh detergents, solvents or acidic cleaners, citrus based cleaners, lime scale removers, household vinegar, and cleaning agents containing acetic acid on any Products as these will scratch and damage the surface. Additionally, use of wax-based furniture cream should be avoided as these can result in a build-up of deposits, which could detract from the appearance.

Do not use undue pressure when wiping.

STIEBEL ELTRON reserves the right to alter, or amend this warranty offer in writing at any time. STIEBEL ELTRON reserves the right to provide minor components (including, but not limited to, handles, aerators, buttons, dress rings, hinges, clips, rod, washers, and hoses) as 'Parts Only' to the Customer.

6.2 Maintenance

Regularly clean or replace dirty or blocked outlet aerator inserts in tapware.

Australia

STIEBEL ELTRON Australia P ty. L td.

294 Salmon Street | Port Melbourne VIC 3207

Tel. 03 9645-1833 | Fax 03 9644-5091

info@stiebel-eltron.com.au

www.stiebel-eltron.com.au

Australia

STIEBEL ELTRON Australia Pty. Ltd.
294 Salmon Street | Port Melbourne VIC 3207
Tel. 03 9645-1833 | Fax 03 9644-5091
info@stiebel-eltron.com.au
www.stiebel-eltron.com.au

Austria

STIEBEL ELTRON Ges.m.b.H.
Gewerbegebiet Neubau-Nord
Margaritenstraße 4 A | 4063 Hörsching
Tel. 07221 74600-0 | Fax 07221 74600-42
info@stiebel-eltron.at
www.stiebel-eltron.at

Belgium

STIEBEL ELTRON bvba/sprl
't Hofveld 6 - D1 | 1702 Groot-Bijgaarden
Tel. 02 42322-22 | Fax 02 42322-12
info@stiebel-eltron.be
www.stiebel-eltron.be

China

STIEBEL ELTRON (Tianjin) Electric Appliance
Co., Ltd.
Plant C3, XEDA International Industry City
Xiqing Economic Development Area
300385 Tianjin
Tel. 022 8396 2077 | Fax 022 8396 2075
info@stiebel-eltron.cn
www.stiebel-eltron.cn

Czech Republic

STIEBEL ELTRON spol. s r.o.
Dopravní 749/3 | 184 00 Praha 8
Tel. 251116-111 | Fax 235512-122
info@stiebel-eltron.cz
www.stiebel-eltron.cz

Deutschland

STIEBEL ELTRON GmbH & Co. KG
Dr.-Stiebel-Straße 33 | 37603 Holzminden
Tel. 05531 702-0 | Fax 05531 702-480
info@stiebel-eltron.de
www.stiebel-eltron.de

Finland

STIEBEL ELTRON OY
Kapinakuja 1 | 04600 Mäntsälä
Tel. 020 720-9988
info@stiebel-eltron.fi
www.stiebel-eltron.fi

France

STIEBEL ELTRON SAS
7-9, rue des Selliers
B.P 85107 | 57073 Metz-Cédex 3
Tel. 0387 7438-88 | Fax 0387 7468-26
info@stiebel-eltron.fr
www.stiebel-eltron.fr

Hungary

STIEBEL ELTRON Kft.
Gyár u. 2 | 2040 Budaörs
Tel. 01 250-6055 | Fax 01 368-8097
info@stiebel-eltron.hu
www.stiebel-eltron.hu

Japan

NIHON STIEBEL Co. Ltd.
Kowa Kawasaki Nishiguchi Building 8F
66-2 Horikawa-Cho
Saiwai-Ku | 212-0013 Kawasaki
Tel. 044 540-3200 | Fax 044 540-3210
info@nihonstiebel.co.jp
www.nihonstiebel.co.jp

Netherlands

STIEBEL ELTRON Nederland B.V.
Daviottenweg 36 | 5222 BH 's-Hertogenbosch
Tel. 073 623-0000 | Fax 073 623-1141
info@stiebel-eltron.nl
www.stiebel-eltron.nl

New Zealand

Stiebel Eltron NZ Limited
61 Barrys Point Road | Auckland 0622
Tel. +64 9486 2221
info@stiebel-eltron.co.nz
www.stiebel-eltron.co.nz

Poland

STIEBEL ELTRON Polska Sp. z O.O.
ul. Działkowa 2 | 02-234 Warszawa
Tel. 022 60920-30 | Fax 022 60920-29
biuro@stiebel-eltron.pl
www.stiebel-eltron.pl

Russia

STIEBEL ELTRON LLC RUSSIA
Urzhumskaya street 4,
building 2 | 129343 Moscow
Tel. +7 495 125 0 125
info@stiebel-eltron.ru
www.stiebel-eltron.ru

Slovakia

STIEBEL ELTRON Slovakia, s.r.o.
Hlavná 1 | 058 01 Poprad
Tel. 052 7127-125 | Fax 052 7127-148
info@stiebel-eltron.sk
www.stiebel-eltron.sk

South Africa

STIEBEL ELTRON Southern Africa (PTY) Ltd
30 Archimedes Road
Wendywood
Johannesburg, 2090
Tel. +27 10 001 85 47
info@stiebel-eltron.co.za
www.stiebel-eltron.co.za

Switzerland

STIEBEL ELTRON AG
Industrie West
Gass 8 | 5242 Lupfig
Tel. 056 4640-500 | Fax 056 4640-501
info@stiebel-eltron.ch
www.stiebel-eltron.ch

Thailand

STIEBEL ELTRON Asia Ltd.
469 Moo 2 Tambol Klong-Jik
Amphur Bangpa-In | 13160 Ayutthaya
Tel. 035 220088 | Fax 035 221185-88
th-info@stiebel-eltron.com
www.stiebel-eltron.co.th

United Kingdom and Ireland

STIEBEL ELTRON UK Ltd.
Unit 12 Stadium Court
Stadium Road | CH62 3RP Bromborough
Tel. 0151 346-2300 | Fax 0151 334-2913
info@stiebel-eltron.co.uk
www.stiebel-eltron.co.uk

United States of America

STIEBEL ELTRON, Inc.
17 West Street | 01088 West Hatfield MA
Tel. 0413 247-3380 | Fax 0413 247-3369
info@stiebel-eltron-usa.com
www.stiebel-eltron-usa.com

Irrtum und technische Änderungen vorbehalten! | Subject to errors and technical changes! | Sous réserve d'erreurs et de modifications techniques! | Onder voorbehoud van vergissingen en technische wijzigingen! | Salvo error o modificación técnica! | Excepto erro ou alteração técnica | Zastrzeżone zmiany techniczne i ewentualne błędy | Omyly a technické změny jsou vyhrazeny! | A muszaki változtatások és tévedések jogát fenntartjuk! | Отсутствие ошибок не гарантируется. Возможны технические изменения. | Chyby a technické zmeny sú vyhradené!

Stand 9835

STIEBEL ELTRON